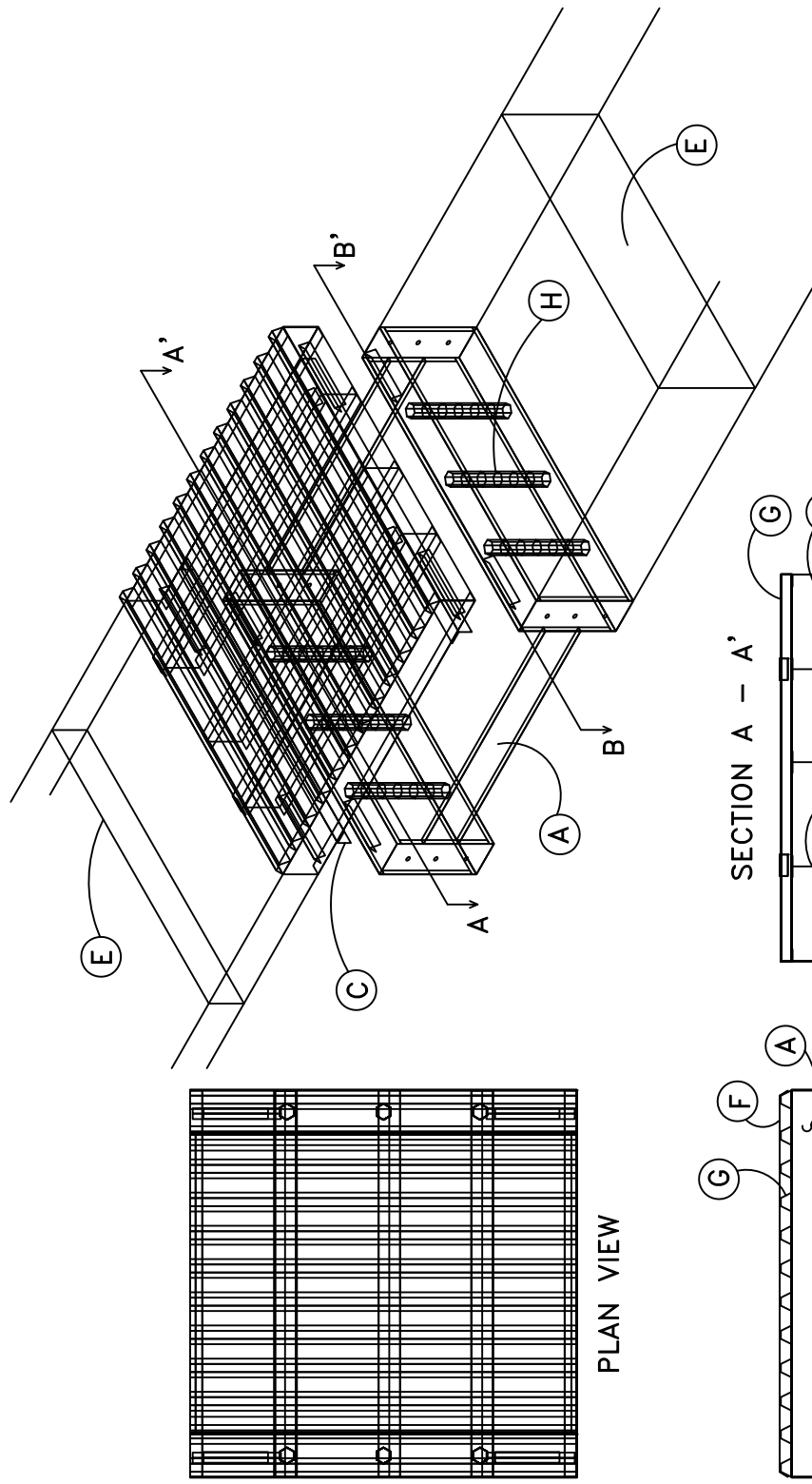

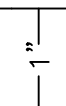


**FIGURE 5-12
STANDARD TYPE A CATTLEGUARD**



CONNECTION SPECS:
 100% WELD
 LH 7018 CONTINUOUS
 FEED WIRE.

HOLES:  $\frac{3}{4}$ "  1"

*PARK COUNTY
ROAD & BRIDGE STANDARDS
STANDARD DRAWINGS*

ISSUED:
REVISED:
DRAWING NO.:
5-12